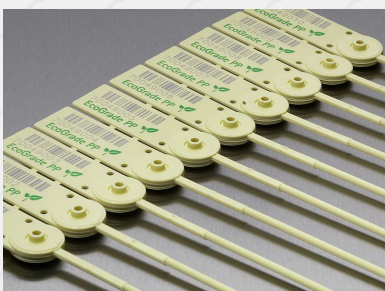


Unisto Medio (Ecograde PP)



Adjustable length Security Seal with a ribbon diameter of 2.5 mm mainly used in the Bank/Cash in Transit, Pharmaceutical and Post/Courier Service sectors. Fits applications like cassettes, boxes and bags. Made with the sustainable material Ecograde. Suitable for eyelets down to 2.5 mm diameter. Numbered or Bar-coded enables very fast recording of seal numbers and optimizes logistical processes. Various plastic colours available.

Features of this security seal

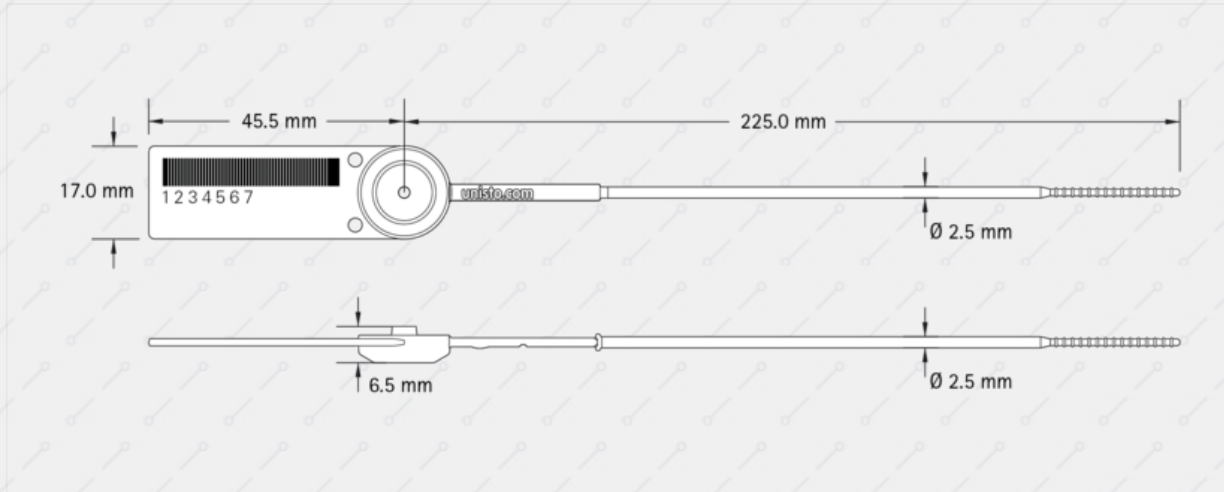
Type of Seal

Adjustable Length Seals

Application

Trolleys, Bags, Boxes and Cases

- › Sustainable security seal
- › Ecograde is made with 100% recycled PP, which comes from production wastes
- › Ribbon diameter 2.5 mm fits small eyelets
- › Locking mechanism of stainless spring steel increases tamper-resistance
- › Barcoded for fast, accurate and reliable data capture and streamlining operations
- › Flat construction fits into small areas
- › Various colours for logistical functions
- › Customer name/logo for clear identification
- › Mats of 10 seals allows sequential distribution



Materials

Ribbon/housing: Ecograde (PP) Disc: Ecograde (PP) Locking mechanism: stainless spring steel

Tensile strength (loop), Unisto standard

Ca. 15 kg

Numbering

7 digits

Barcode

Interleaved 2/5 or barcode 128

Customer name/logo

Foil printed or digital printing

Colours - numbered version

Dark blue, dark green, red, grey, yellow, white, black
Other colours available on request

Colours - Barcode directly laser marked

White, yellow, apricot, pink, purple, grey, light brown

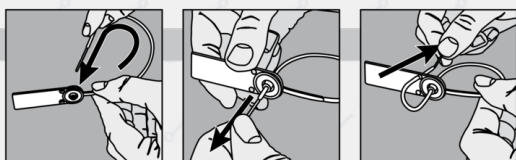
Packing

Mats of 10 pieces, box of 1000 seals
37.0 x 20.3 x 15.0 cm (0.012 m³), approx. 2.8 kg

Storage

Seals should be stored in original box away from direct sunlight and chemical fumes. Store at 22°C/50% RH. Typical shelf life of seals made of PP are approx. 18 months from date of manufacture. Nevertheless please do not order more than an annual quantity.

How to close



How to open



