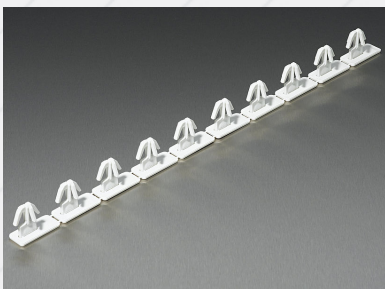


Unisto Syntra / Syntra Grand



Push-Fit indicative Security Seal. Especially designed for Tote Boxes mainly used in the Retail, Transport Logistic, Distribution and Post/Courier Services business. Numbered and non-numbered available. Consecutive numbered or alike in pairs. Easy to fit & remove. Four leg design prevents tampering. Optional bar-coding for efficient data capture. In a variety of plastic colours available.

Features of this security seal

Type of Seal

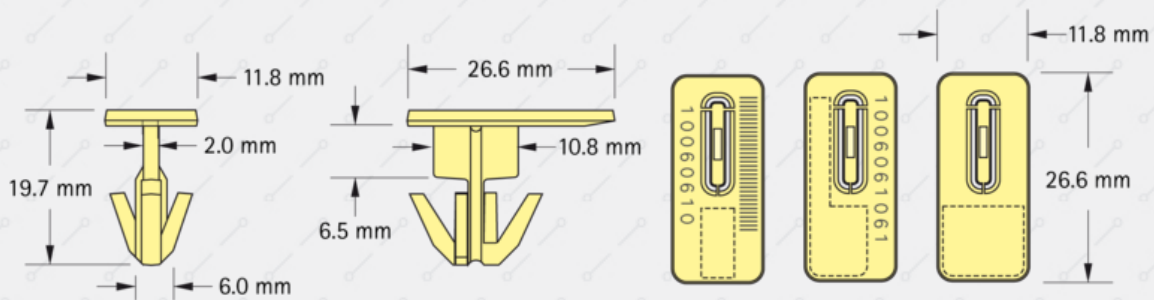
Special Seals

Application

Boxes

- › Visible break-point on head increases tamper-evidence
- › Four locking fingers secure grip in box and increases tamper resistance
- › Various colours for logistic colour coding
- › Customer name/logo for clear identification
- › Numbered version increases security level
- › Bar-coded version streamlines logistical operations

Minimum size



Unisto Syntra: technical Data Version barcoded

Material

Polypropylene (PP)

Tensile strength

Approx. 2 kg

Numbering

Directly laser marked, 10 digits

Barcoding

Interleaved 2/5 or barcode 128

Customer name

Directly laser marked

Colours

White, yellow, apricot, pink, purple, grey, light brown

Packing

Mats of 10 pieces, box of 1800 seals 26.0 x 29.5 x 25.0 cm (0.020 m³), approx. 3.1 kg

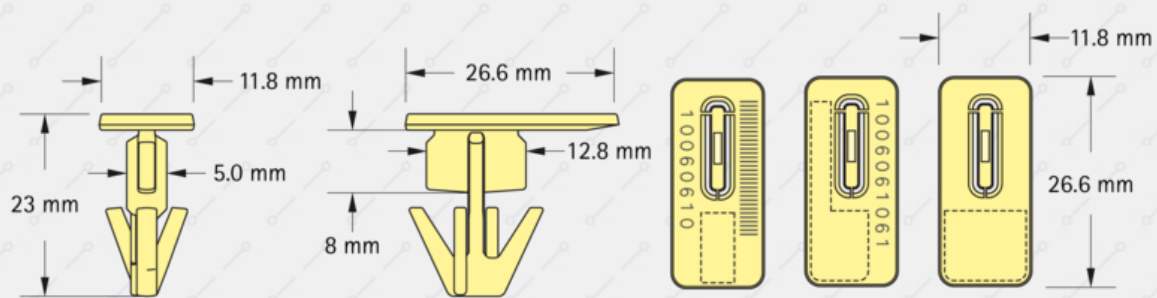
Storage

Seals should be stored in original box away from direct sunlight and chemical fumes.

Store at 22°C/50% RH. Typical shelf life of seals made of PP and PA are approx. 18 months from date of manufacture.

Nevertheless please do not order more than an annual quantity.

Minimum size



Unisto Synta Grand: technical Data Version barcoded

Material

Polypropylene (PP)

Tensile strength

Approx. 2 kg

Numbering

Directly laser marked, 10 digits

Barcoding

Interleaved 2/5 or barcode 128

Customer name

Directly laser marked

Colours

White, yellow, apricot, pink, purple, grey, light brown

Packing

Mats of 10 pieces, box of 2000 seals 26.0 x 29.5 x 25.0 cm (0.020 m³), approx. 3.5 kg

Storage

Seals should be stored in original box away from direct sunlight and chemical fumes.

Store at 22°C/50% RH. Typical shelf life of seals made of PP and PA are approx. 18 months from date of manufacture.

Nevertheless please do not order more than an annual quantity.